

C.I.P.

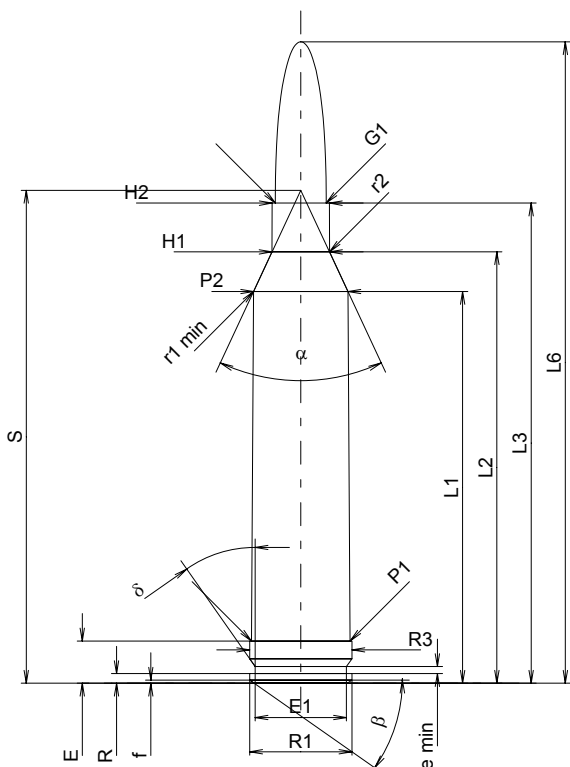
264 Win. Mag.

Country of Origin: US

TAB. III

Date 84-06-14

Revision 02-05-15



CARTRIDGE MAXI

Lengths

L1	=	51.82
L2	=	57.05
L3 ¹⁾	=	63.50
L4	=	
L5	=	
L6	=	84.84

Case Head

R	=	1.27
R1	=	13.51
R3	=	13.51
E ¹⁾	=	5.59
E1	=	12.07
e min	=	0.94
delta	=	35°
f	=	0.41
beta	=	35°

Powder Chamber

P1	=	13.03
P2*	=	12.47

Junction Cone

alpha*	=	50°
S*	=	65.19
r1 min	=	3.30
r2	=	3.84

Collar

H1*	=	7.59
H2 ¹⁾	=	7.57

Projectile

G1 ¹⁾	=	6.73
G2	=	
F	=	
L3+G ¹⁾	=	68.35

Pressures (Energies)

Method Transducer

Pmax	=	4300 bar
PK	=	4945 bar
PE	=	5375 bar
M	=	25.00
EE	=	4095 Joule

Miscellaneous Dimensions

Fe ¹⁾	=	0.10
delta L	=	

CHAMBER MINI

Lengths

L1	=	49.02
L2	=	57.21
L3 ¹⁾	=	64.11

Breech

R	=	
R1	=	13.59
R2	=	
R3	=	13.59
r	=	

Powder Chamber

E ¹⁾	=	5.59
P1 ¹⁾	=	13.06
P2*	=	12.50

Junction Cone

alpha*	=	50°
S*	=	65.42
r1 max	=	0.76
r2	=	3.81

Collar

H1*	=	7.66
H2 ¹⁾	=	7.62

Commencement of Rifling

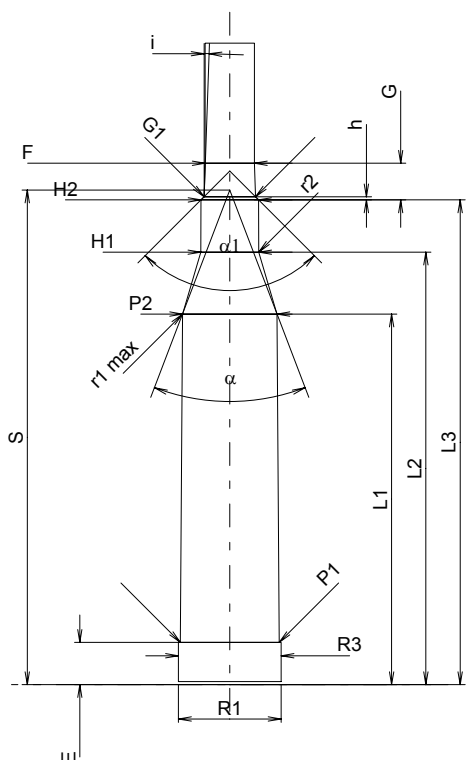
G1 ^{1)*}	=	6.81
G ¹⁾	=	4.85
alpha1*	=	90°
h	=	0.41
s	=	
j ^{1)*}	=	2°
w	=	

Barrel

F ^{1)*}	=	6.50
Z ¹⁾	=	6.71

Grooves

b	=	2.29
N	=	6
u	=	229.00
Q	=	34.66 mm ²



Scale 1:1

Dimensions in << mm >>
Dimensions and Tolerances for Proof Barrels
see Appendix CR 1.

Notes: 1) Check for safety reasons
* Basic dimensions